

JA-156J Wireless multifunctional panic button

The device is a component of the **JABLOTRON** alarm system. It has four defined types of utilization:

1. Panic alarm button activated by hand.
2. Panic alarm button activated by foot* or knee.
3. Detection of banknote removal or the removal of valuable documents.
4. Verification of the presence of a person with a variable timer. All of these options may be realized by utilizing the mounting platform, which is equipped with a tamper detector.

Thanks to bi-directional communication, the device optically and acoustically signals confirmation of a successful action. The device utilizes wireless Jablotron communication protocol and is powered by two AAA batteries. The device takes up one position in the system. The device should be installed by a trained technician with a valid certificate issued by an authorized distributor.

This product is compatible only with the JA-103K, JA-107K and subsequent systems.



Fig. 1: Panic button in its mounting platform: 1. Hinges, 2. Button A, 3. Switch B, 4. Backplate fixing screw, 5. Mounting platform latches, 6. Replaceable banknote or document clip, 7. LED light guide.

Modes of operation of the wireless multifunctional panic button

The wireless multifunctional panic button is a device intended to enable the user to activate a panic alarm should the user find themselves in a situation requiring it. The device has multiple modes of activation, which must be configured via **F-Link** once the device has been enrolled onto the system.

1. **Panic alarm activation by pressing the A button** (By hand, foot* or knee)

Activation of the panic alarm button is, depending on the orientation of the device in the mounting platform achievable either by directly pressing the red button or, alternatively by pressing anywhere on its surface. To activate the device by pressing on its surface, the button must be placed in the mounting platform facing the plastic protrusion. The protrusion-facing device is especially suitable for activation by knee or foot*, should the device be mounted under the user's desk. Should it be deemed suitable, activation of the device may be mechanically verified by applying an indicative self-adhesive seal onto the red button (1pc. of self-adhesive seal is included in the packaging).

***Important:** Not meant for full body weight activation.

2. **Banknote removal detection via switch B.**

With the utilization of this function, it is necessary to replace the default light guide as shown on Fig. 5, with a light guide equipped with a clip (6) on Fig. 1, which is included in the packaging. Banknote removal detection may be utilized to protect contracts or any other valued documents. in a safe or a security box.

To utilize this mode of operation, place a banknote into the clip specialized for this purpose (6). The device may be fixed in this configuration to the bottom of a cash register in a store, a gas station, etc.

Removing the banknote from the device will result in an immediate activation of switch B.

3. **Verification of the presence of a person via repeated button A activation.**

Device activation occurs if the user does not trigger the device within a preset timeframe which may be set from 30 minutes to 12 hours (by 30 minutes steps). It is also possible to set a warning

period that causes activation once the timeframe expires, where the user is notified acoustically and visually for a period of 1 to 120 seconds in order to remind them to activate the button. In case that an activation does not occur, the system will receive a pre-defined report. It must be noted that the timer is reset every time the button is pressed and when the system is put into service mode.

Important: This function has been designed with continuous (24/7) operation in mind. If it is required by user specification, the function **may be blocked** via a PG output with an on/off function, which may for example be controlled by a keypad segment with the authorization of the employee or controlled by calendar events.



Fig. 2: Panic button equipped with a bank note holder

Installation

We recommend installing the panic alarm button onto the mounting platform (Fig 3.). The mounting platform allows for installation onto various types of surfaces and allows for the detection of tampering should the device be removed from the mounting platform. The device may be used without the mounting platform, however due to the fact that the tamper device is not present it is necessary to disable the device's tamper sensor via F-Link. It must be noted that utilizing the device without its mounting platform results in non-conformity to Security Grade II classification.

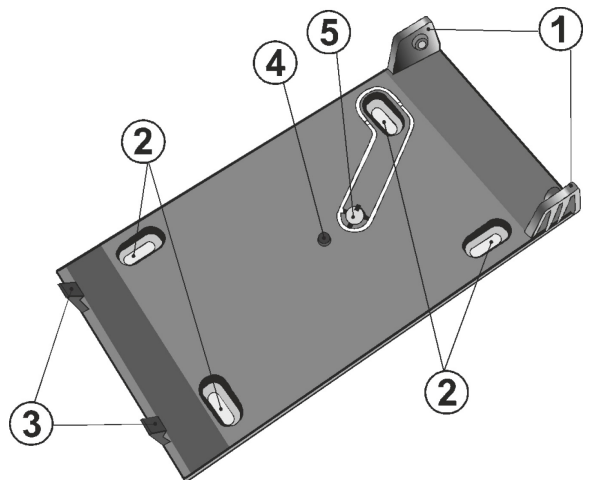


Fig. 3: Mounting platform: 1. Hinges, 2. Fixing screw holes, 3. Latches, 4. Button activation plastic protrusion, 5. Sabotage magnet segment (sabotage sensor)

Mounting platform installation instructions

1. Remove the panic button from its mounting platform by applying small force to the sides of the hinges, (1, 3) see Fig.3, thus prying them apart. This action is best performed with the use of a flat tool.
2. Fix the mounting platform to the desired location with the use of four screws. (2).
3. Remove the device's backplate, this action may be performed by prying it away with the use of a flat-head screwdriver as shown in Fig.4.
4. Basic procedure: Enroll the device onto a JABLOTRON system, Follow the instructions stated in the control panel installation manual. Basic procedure:
 - a. Select a position in the **Devices** tab, in **F-Link** and click the **Enroll** prompt in order initiate enrollment mode.
 - b. Inserting the batteries (both batteries must be inserted into the device) will result in the transmission of an enrollment signal and the device will be enrolled onto the selected system position.
 - c. Property settings may be adjusted within **F-Link's Devices** tab.

- d. Close the device by replacing the backplate in its place and secure it in position with the use of a fixing screw, which is included in the packaging.

Important: Place the panic button into the mounting platform by placing it between the hinges (1) so that both latches are securely in place (3) Fig. 3. Orientation of the panic button is dependent on whether the customer wishes to utilize direct button activation by hand or bypassing the entire surface of the device so that the device may be operated by hand, knee or foot*.

Notes:

- The device may be enrolled onto the system by entering its serial number into the F-Link program. The serial number is located on the rear side of the device (example: 1400-00-0000-0001).
- Should you wish to remove the device from the system, it can be removed from the appropriate position via F-Link
- The device may only be enrolled onto a single system!

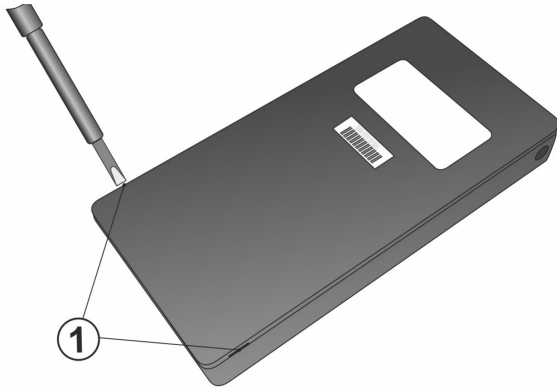


Fig. 4: Method of opening the panic button: 1. Two indentations for opening the device with the use of a flat-head screwdriver.

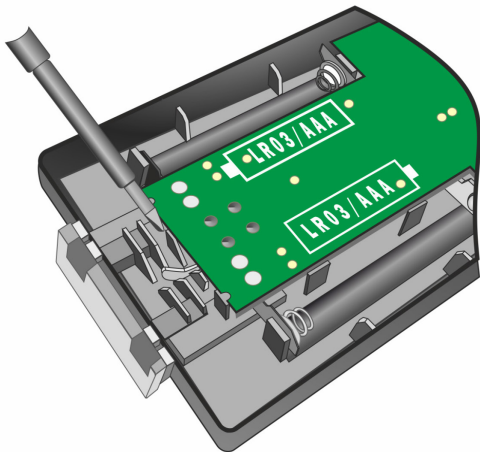


Fig. 5: Method of removing the light guide in order to replace it with a bank note holder.

Device communication with the system

The button is equipped with bi-directional asynchronous communication with the JA-11xR radio module which enables changing the internal settings with ease (just as it is with BUS detectors) while taking into account battery life time in normal operational mode.

When the detector is enrolled to the control panel it works in the so-called accelerated 90-second mode until Service mode is terminated (up to 24 h). The detector performs a check every 90 s to monitor whether the control panel remains in Service mode, whether it should apply new settings.

In the normal operational mode, the button communicates periodically with the control panel 1x every 20 minutes. Therefore it may take the button up to 20 minutes to realize the control panel was switched to Service mode or to save changes made in the internal settings. This period of time can be shortened by triggering the detector which will switch it to the accelerated 90-second mode immediately.

Important: It is not necessary to wait for 90 s (or 20 minutes) for the detector to confirm a request to save the changes made in the internal settings. The control panel remembers such changes and transfers them to the detector the next time a periodical communication session occurs.

Property settings

Open the **F-Link** software, go to the **Devices** tab. Click on the **Internal settings** option at the device's position to open a dialogue window where you can set the following options:

Monitor removal from holder: This parameter enables/disables the use of a tamper detector which reports the removal of the device from the mounting platform, this parameter is off by factory default. It must be noted that utilizing the device with bypassed tamper sensor results in non-conformity to Security Grade II classification.

Optical signal: This parameter enables/disables the optical signalization of activation. Signalization is red and yellow. This parameter is on by factory default, it is also always on while the system is in service mode.

Touch tones: This parameter enables/disables short acoustic activation signalization. This parameter is on by factory default, it is also always on while the system is in service mode.

Button: The button may be utilized to perform a pre-defined action: audible/silent panic, Fire alarm, Health troubles or reporting pre-defined text messages (Reports A, B, C, D). No function is pre-set by factory default.

Banknote detection: If this function is to be utilized, it is necessary to remove the light guide covering the B switch and to replace it with a bank note/document holder, which is included in the packaging. Once this function is turned on, it is necessary to choose one of the following functions: audible/silent panic, Fire alarm, Health troubles or reporting pre-defined text messages (Reports A, B, C, D). We recommend setting the "Button" option to "none" if banknote detection is utilized, however operation of the A and B buttons is not mutually exclusive.

Audible panic: This parameter enables/disables acoustic signalization of an action being performed by the system, this function serves as a direct system feedback. This parameter is on by factory default.

Detecting the presence of a person: Enabling this parameter prevents the utilization of bank note/document presence detection and alarm button function, as these modes of operation are mutually exclusive. This option turns on a pre-set timer which must be configured according to the customer's specification. Once service mode is exited, the timer does not start until the button is pressed. Once the pre-set time period expires, the device will send a pre-set report to the system.

Press timer (h): Defines the length of the time period which may be set from 0,5 to 12 hours, after which the button must be pressed. Pressing the button resets the timer.

Length of warning (s): Defines the length of the time period during which the button both acoustically and visually signalizes that the button must be pressed as the press timer is running out. The time period may be set from 1 to 120 seconds.

Report: This option allows for the defining the report that is sent to the system control panel unit once the press timer expires. The options are: None (suitable for when only button activation is utilized), audible/silent panic, Fire alarm, Health troubles or reporting pre-defined text messages (Reports A, B, C, D).

Blocking a function: The detecting the presence of a person function may be blocked by selecting and configuring a PG, which may be controlled by calendar events, section setting or by a keypad segment. The PG should have the on/off function setting. This function is intended to be utilized in configurations where the presence of a person detection is required to be time limited (for example due to work hours, etc.).

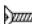
Note: Detecting the presence of a person significantly reduces battery lifetime, depending on the recurrence of the timer, this is further affected by optical and acoustic indication.

Battery replacement

The control panel automatically detects and reports low battery status. It is necessary to enter the system into the service mode before the battery replacement takes place (the button is equipped with a tamper sensor). The device may be opened as show on Fig. 4. Before placing new batteries into the device, wait at least twenty seconds or repeatedly press the activation button (in order to discharge any remaining energy within the device). In order to assure correct functionality of the device, we recommend the utilization of batteries supplied by the Jablotron distribution network or any other high-quality brand-name alkaline batteries.

Important: Always replace both batteries, Do not discard the battery into the trash; dispose of it at a waste collection point.

Technical parameters

Power	2 x Alkaline battery, type LR03 (AAA) 1.5 V/1.2 Ah
	Important: Batteries are not included in the packaging (PS type C according to EN 50131-6)
Typical battery lifetime	approx. 3 years (if activated 3x per day)
Quiescent power consumption	20 μ A
Maximum power consumption	40 mA
Low Battery Threshold	<2.3 V
Communication frequency	868.1 MHz, Jablotron protocol
Maximum radio-frequency output (ERP)	5 mW
Communication range	approx. 300 m (direct visibility)
Classification	Security grade 2/environmental class II (EN 50131-1)
Environment	Indoor general
Ingress Protection Code	IP 22
Operational temperature range.	-10 °C to +40 °C
Average operating humidity	75 % RH, w/o condensation
Dimensions (with mounting platform)	66 x 22 x 122 mm
Weight (w/o batteries)	88 g
Operating conditions according to	ERC/REC 70-03
Certification body	Trezor Test s.r.o. (no. 3025)
Additionally in compliance with	ETSI EN 300 220-1,-2, EN 55032, EN 50130 4, EN 62368-1, EN 62311, EN 50581, EN 50131-1, EN 50131-3, EN 50131-5-3, EN 50131-6, CLC/TS 50131-11, EN 50134-2
Recommended screw	4 x  \varnothing 3.5 x 40 mm (countersunk head)



JABLOTRON ALARMS a.s. hereby declares that the JA-156J detector is in a compliance with the relevant European Union harmonization legislation: Directives No: 2014/53/EU, 2014/35/EU, 2014/30/EU, 2011/65/EU. The original of the conformity assessment can be found at www.jablotron.com – the Downloads section.



Note: Disposing of this product correctly will help save valuable resources and prevent any potential negative effects on human health and the environment, which could otherwise arise from inappropriate waste handling. Please return the product to the dealer or contact your local authority for further details of your nearest designated collection point.

