

# TDP-21SMV

HD TVI DOME



## KEY FEATURES

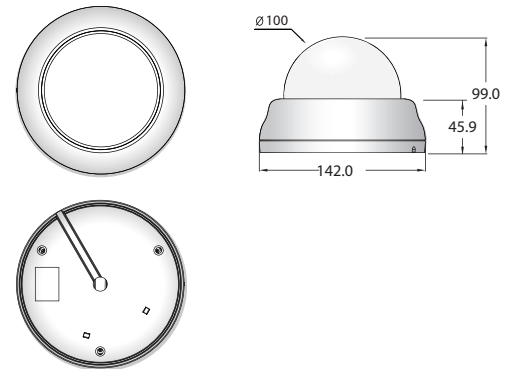
- 1/2.9 inch SONY CMOS (IMX-222), Resolution (1080P, 720P, 720P CROP)
- TVI (Transport Video Interface), 1 Lux at F1.2 / 0.1 Lux (B/W)
- DNR (Digital Noise Reduction)
- True Day & Night (ICR), Easy Installation, 3Axis
- DC Auto IRIS & TDN V/F Lens 2.8-12mm



SPECIFICATION	TDP-21SMV
RESOLUTION	1080P, 720P, 720P CROP
SENSOR	1/2.9 inch SONY CMOS (IMX-222)
TOTAL PIXELS	2000(H) x 1241(V) = 2,482,000
EFFECTIVE PIXELS	1944(H) X 1092(V) = 2,122,648
SCANNING SYSTEM	PROGRESSIVE
S/N (Y SIGNAL)	More than 52 dB (AGC Off)
VIDEO OUTPUT	TVI / (CVBS: 1.0Vp-p (75ohm) : Option)
MIN.ILLUMINATION	1 Lux at F1.2 / 0.1 Lux (B/W)
WHITE BALANCE	AUTO / AUTO EXT / PRESET / MANUAL
SHUTTER	AUTO / MANUAL (1/30sec ~ 1/60,000sec)
BRIGHTNESS	ADJUSTABLE (0 20 ~ STEP)
SENS_UP	OFF / X2 / X3 X4 / X5 / X6 / X7 / X8 /
DNR	OFF / LOW / MIDDLE / HIGH
BACKLIGHT	OFF / WDR / BLC / HLM
ACE	OFF / LOW / MIDDLE / HIGH
DAY & NIGHT	AUTO (Day <-> Night TIME Change) , COLOR , B/W, EX-TERN, MDIR (SEARCH Option)
PRIVACY	OFF / ON (16 Zone)
MOTION	OFF / SET
D.ZOOM	0 ~ 127
FLIP	OFF / ON
FREEZE	OFF / ON
LANGUAGE	ENG, CHN, CHN(S), JPN, KOR
SHARPNESS	ADJUSTABLE (0 ~ 10 STEP)
DEFOG	OFF / SET
COMM	RS-485 (PELCO-D)
SMART IR (IR PRODUCT SPEC.)	ADJUSTABLE (0 ~ 20 STEP)
OPERATING TEMPERATURE / HUMIDITY	-10'C~+50'C / 30%~80% RH
STORAGE TEMPERATURE / HUMIDITY	-20'C~+60'C / 20%~90% RH
POWER	DC12V
SIGNAL TRANSMISSION	The distant difference is occurred according to cable option and other circumstances. (coaxial cable 300M)



DOME CAMERA DIMENSIONS (mm)



WALL MOUNT BRACKET (OPTION)

